

TECHNICAL DATA SHEET

RADIAL FAN nr. AFGG-40_26



G&G filtration CZ, s.r.o.

A Hrubínova 1903/9, 66451 Šlapanice, CZ
 IČ 05226953 IČ DPH CZ05226953
 E info@ggf.cz W www.ggf.cz

ITEM1

Document printed by Aeraulica - Dimensions and performances can be changed without prior notice

Type and characteristics of the requested machine				performance on		Outlet		
Flow rate	75000 [m3/h]	Capacity (Normal)			69883 [Nm3/h]			
Total pressure	4000 [Pa]	Static pressure						
Working fluid temperature	20 [°C]	Fluid specific weight			1.204 [Kg/m3]			
Installation altitude	0 asl [m]	Specific weight std (20 [°C], 0 asl [m])			1.204 [Kg/m3]			
Suggested model and effective characteristics				performance on		Outlet		
Model	GF 1600R/6-I	Execution	E04	Installation Type	A (free inlet and outlet)			
Fluid specific weight	1.204	1.204 [Kg/m3]		Revolution fan speed		985 [rpm]		
Total pressure	3721	3721 [Pa]		Orientation		RD 0		
Static pressure	3519	3519 [Pa]		Sound power LwA		107.59 [dB(A)]		
Flow rate	75000	75000 [m3/h]		Sound pressure at mt.1.5 1/2 sf in open field		94.29 [dB(A)]		
Capacity (Normal)	69883	69883 [Nm3/h]		Pipings	s>3mm = +3dB; 1mm<s<3mm = +4,5dB ; s<1mm = +6dB			
Power dem. at shaft	88.956	88.956 [kW]		Fan efficiency	Outlet	87.14 %		
Motor power demand	88.956	88.956 [kW]						
Characteristics of chosen motor				Motor efficiency IEC 60034-30			PD ² impeller	
Code	315L66-50/std3P	shape	B3	Efficiency	95.1	95.5	95.3	670.0 [kgm ²]
Rated power	110.0 [kW]	n° poles	6	rpm	991			PD ² needed 661.91 [kgm ²]
				Load	100%	75%	50%	PD ² motor 720 [kgm ²]
ErP 2009/125/CE Regulament (UE) N. 327/2011				Notes				
Efficiency grade	64			N	81.4	Total efficiency	83.87 %	
Impeller type	backward blades	Type of test	B/total	Flow rate	85475 [m3/h]	Pressure	3208 [Pa]	
NOTE	Performance on Outlet GF 1600R/6-I - E04 - D=1.52[m] - ρ=1.204[kg/m ³] - T=20[°C] - 0[m]a.s.l.							
Rpm Limit	<=60 °C: 1150 Rpm							
values of the noise of fan obtained in ambient not reverberant with inlet and outlet ducts fully insulated								

TECHNICAL DATA SHEET

RADIAL FAN nr. AFGG-40_26



G&G filtration CZ, s.r.o.

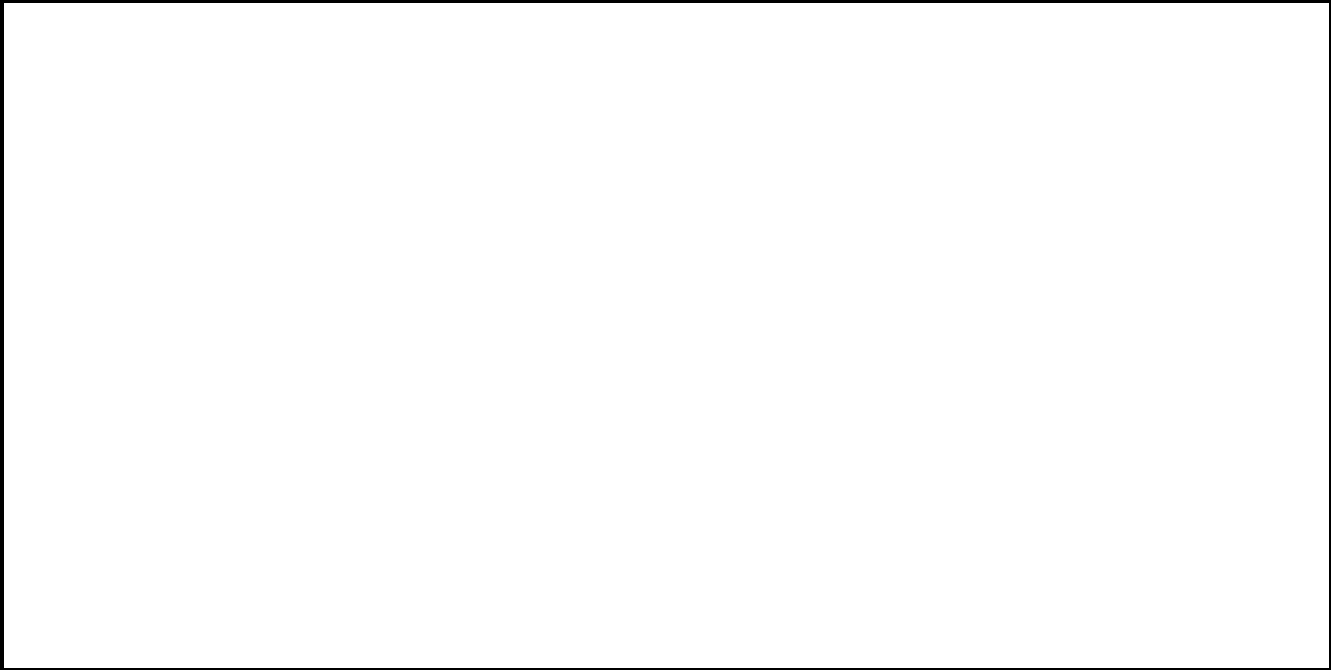
A Hrubínova 1903/9, 66451 Šlapanice, CZ

IČ 05226953 IČ DPH CZ05226953

E info@ggf.cz W www.ggf.cz

ITEM1

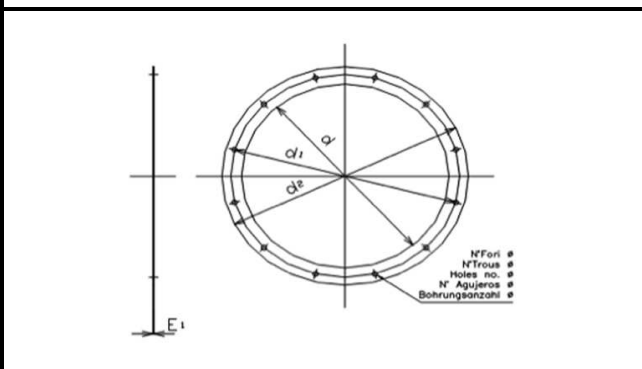
Document printed by Aeraulica - Dimensions and performances can be changed without prior notice



Indicative measures in the standard configuration. For detailed information contact your reference.

Indicative value of weight including standard motor.

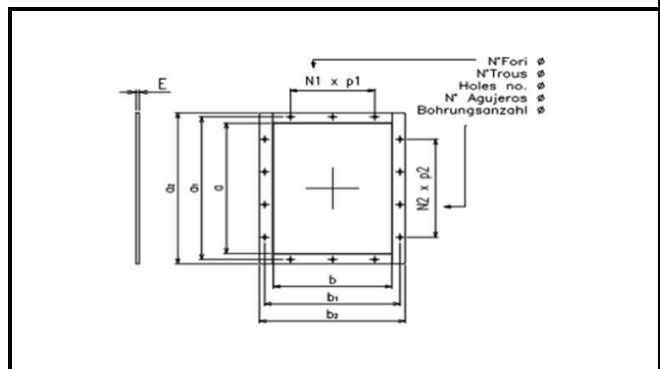
B	I	H	H1	H2	H3	H4	M	S	U	PD2	kg
1963	645	1500	1120	1900	1250	1600	800	1073	1731	670	1731



Cod	dxn°	d1	d2	Φ	E1
1260 A	1260x24	1337	1380	17	6

--	--	--	--	--	--

--	--	--	--	--	--



Cod	axb	a1	b1	a2	b2
1267x0898	1267x898	1347	978	1407	1038

N1xp	N2xp	n°	Φ	E
4x200	6x200	24	18	8

--	--	--	--	--