

TECHNICAL DATA SHEET

RADIAL FAN nr. AFGG-40_12



G&G filtration CZ, s.r.o.

A Hrubínova 1903/9, 66451 Šlapanice, CZ
 IČ 05226953 IČ DPH CZ05226953
 E info@ggf.cz W www.ggf.cz

ITEM1

Document printed by Aeraulica - Dimensions and performances can be changed without prior notice

Type and characteristics of the requested machine				performance on		Outlet		
Flow rate	6500 [m3/h]	Capacity (Normal)				6057 [Nm3/h]		
Total pressure	4000 [Pa]	Static pressure						
Working fluid temperature	20 [°C]	Fluid specific weight				1.204 [Kg/m3]		
Installation altitude	0 asl [m]	Specific weight std (20 [°C], 0 asl [m])				1.204 [Kg/m3]		
Suggested model and effective characteristics				performance on		Outlet		
Model	GF 500/2-A-I	Execution	E04	Installation Type	A (free inlet and outlet)			
Fluid specific weight	1.204	1.204 [Kg/m3]		Revolution fan speed		2960 [rpm]		
Total pressure	3851	3851 [Pa]		Orientation		RD 0		
Static pressure	3706	3706 [Pa]		Sound power LwA		99.58 [dB(A)]		
Flow rate	6500	6500 [m3/h]		Sound pressure at mt.1.5 1/2 sf in open field		86.28 [dB(A)]		
Capacity (Normal)	6057	6057 [Nm3/h]		Pipings	s>3mm = +3dB; 1mm<s<3mm = +4,5dB; s<1mm = +6dB			
Power dem. at shaft	8.22	8.22 [kW]		Fan efficiency	Outlet	84.58	%	
Motor power demand	8.22	8.22 [kW]						
Characteristics of chosen motor				Motor efficiency IEC 60034-30		IE3	PD ² impeller	2.2 kgm ²
Code	160MA2-50/std3	shape	B3	Efficiency	91.2 91 89.5		PD ² needed	2.21 kgm ²
Rated power	11.0 [kW]	n° poles	2 rpm	2955	Load	100% 75% 50%	PD ² motor	14.4 kgm ²
ErP 2009/125/CE Regulament (UE) N. 327/2011				Notes				
Efficiency grade	64		N	77.6	Total efficiency		77.37	%
Impeller type	backward blades	Type of test	B/total	Flow rate	7027.2 [m3/h]	Pressure	3574 [Pa]	
NOTE				Performance on Outlet GF 500/2-A-I - E04 - D=0.5[m] - ρ=1.204[kg/m ³] - T=20[°C] - 0[m]a.s.l.				
Rpm Limit	<=60 °C: 3400 Rpm							
values of the noise of fan obtained in ambient not reverberant with inlet and outlet ducts fully insulated								

TECHNICAL DATA SHEET

RADIAL FAN nr. AFGG-40_12



G&G filtration CZ, s.r.o.

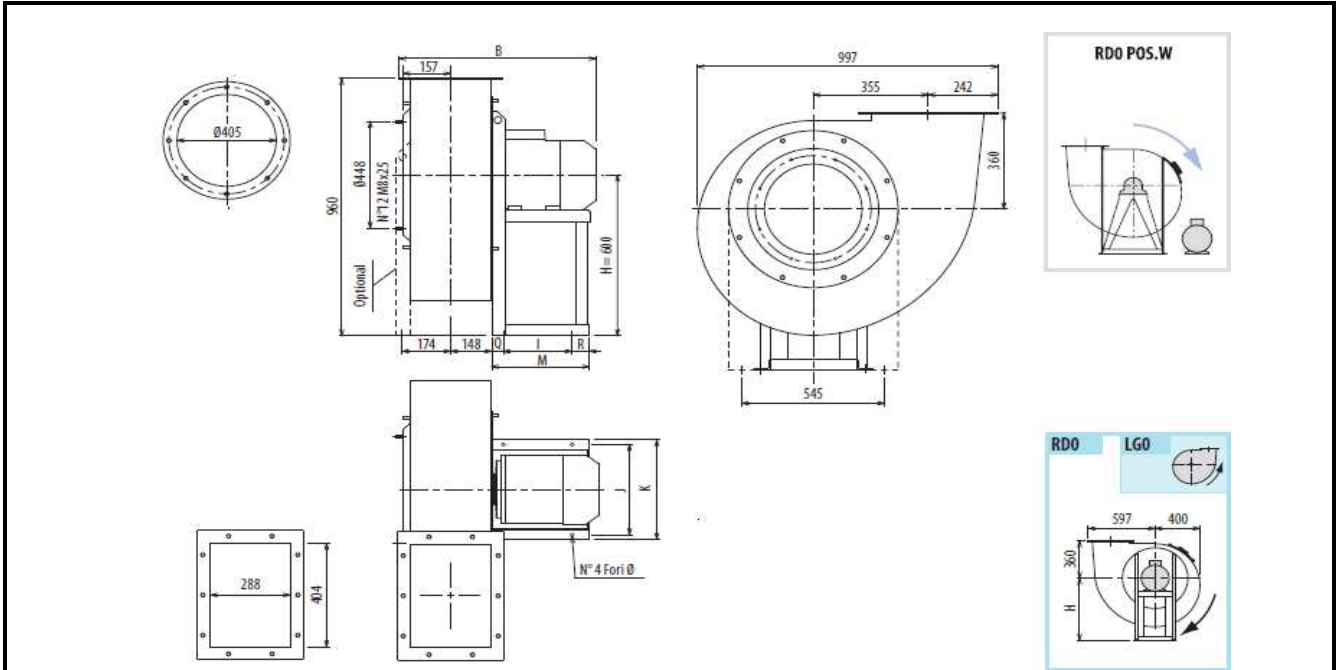
A Hrubínova 1903/9, 66451 Šlapanice, CZ

IČ 05226953 IČ DPH CZ05226953

E info@ggf.cz W www.ggf.cz

ITEM1

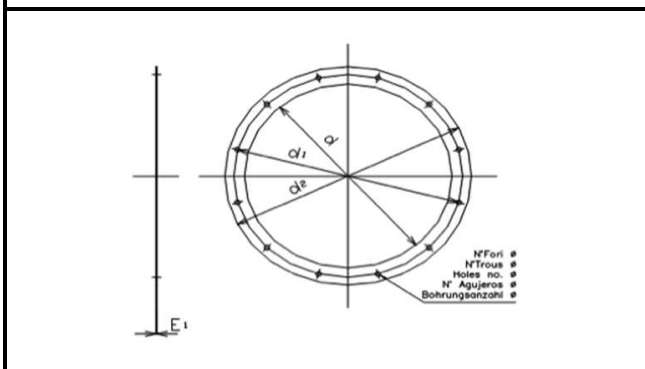
Document printed by Aeraulica - Dimensions and performances can be changed without prior notice



Indicative measures in the standard configuration. For detailed information contact your reference.

Indicative value of weight including standard motor.

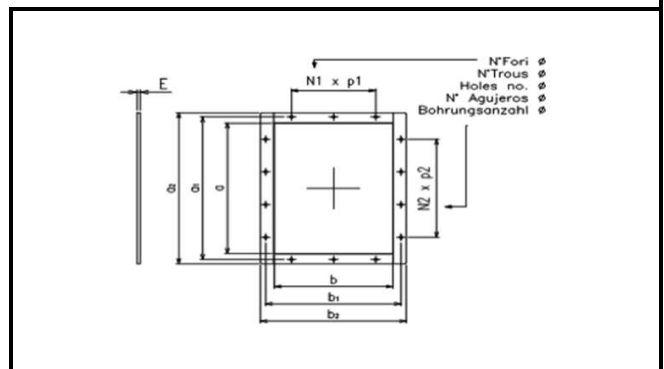
B	I	H	H1	H2	J	K	M	Q	R	Φ	PD2	kg
810	337	600	360	600	395	440	445	54	54	14	2,2	175



Cod	dxn°	d1	d2	Φ	E1
0405 A	405x12	448	485	12	4

--	--	--	--	--	--

--	--	--	--	--	--



Cod	axb	a1	b1	a2	b2
0404x0288	404x288	448	332	484	368

N1xp	N2xp	n°	Φ	E
2x125	3x125	14	12	4

--	--	--	--	--