

TECHNICAL DATA SHEET

RADIAL FAN nr. AFGG-40_11



G&G filtration CZ, s.r.o.

A Hrubínova 1903/9, 66451 Šlapanice, CZ
 IČ 05226953 IČ DPH CZ05226953
 E info@ggf.cz W www.ggf.cz

ITEM1

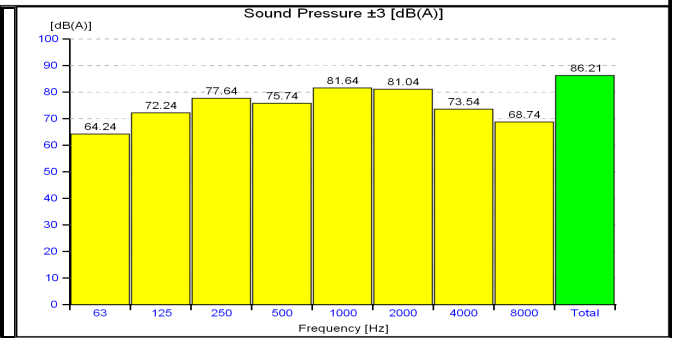
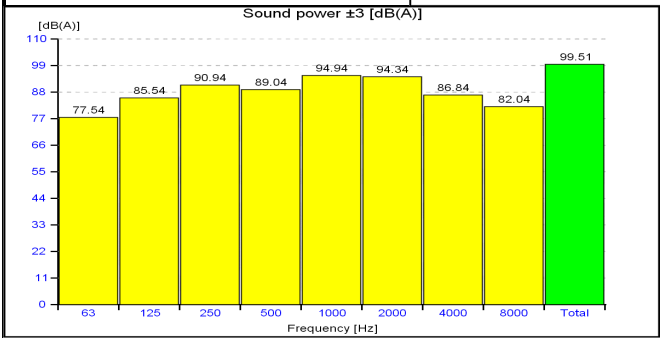
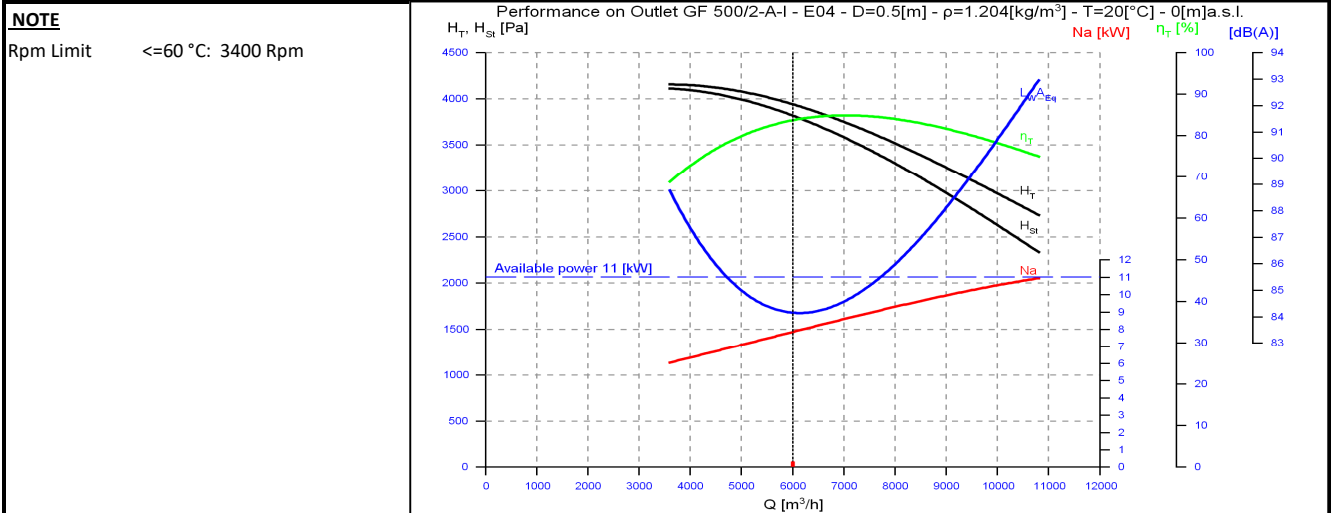
Document printed by Aeraulica - Dimensions and performances can be changed without prior notice

| Type and characteristics of the requested machine | | performance on | | Outlet |
|---|-------------|--|--|---------------|
| Flow rate | 6000 [m3/h] | Capacity (Normal) | | 5591 [Nm3/h] |
| Total pressure | 4000 [Pa] | Static pressure | | |
| Working fluid temperature | 20 [°C] | Fluid specific weight | | 1.204 [Kg/m3] |
| Installation altitude | 0 asl [m] | Specific weight std (20 [°C], 0 asl [m]) | | 1.204 [Kg/m3] |

| Suggested model and effective characteristics | | | | performance on | | Outlet |
|---|---------------------|---------------|-----|---|--|---------------|
| Model | GF 500/2-A-I | Execution | E04 | Installation Type | A (free inlet and outlet) | |
| Fluid specific weight | 1.204 | 1.204 [Kg/m3] | | Revolution fan speed | | 2960 [rpm] |
| Total pressure | 3940 | 3940 [Pa] | | Orientation | | RD 0 |
| Static pressure | 3817 | 3817 [Pa] | | Sound power LwA | | 99.51 [dB(A)] |
| Flow rate | 6000 | 6000 [m3/h] | | Sound pressure at mt.1.5 1/2 sf in open field | | 86.21 [dB(A)] |
| Capacity (Normal) | 5591 | 5591 [Nm3/h] | | Pipings | s>3mm = +3dB; 1mm<s<3mm = +4,5dB; s<1mm = +6dB | |
| Power dem. at shaft | 7.845 | 7.845 [kW] | | Fan efficiency | Outlet | 83.71 % |
| Motor power demand | 7.845 | 7.845 [kW] | | | | |

| Characteristics of chosen motor | | | | Motor efficiency IEC 60034-30 | | | IE3 | PD ² impeller | 2.2 | kgm ² | | |
|---------------------------------|-----------------------|----------|----|-------------------------------|------|------|------|--------------------------|------|-----------------------|------|------------------|
| Code | 160MA2-50/std3 | shape | B3 | Efficiency | 91.2 | 91 | 89.5 | PD ² needed | 2.21 | kgm ² | | |
| Rated power | 11.0 [kW] | n° poles | 2 | rpm | 2955 | Load | 100% | 75% | 50% | PD ² motor | 14.4 | kgm ² |

| ErP 2009/125/CE Regulament (UE) N. 327/2011 | | Notes | |
|---|-----------------|------------------|---------------|
| Efficiency grade | 64 | N | 77.6 |
| Impeller type | backward blades | Type of test | B/total |
| | | Flow rate | 7027.2 [m3/h] |
| | | Pressure | 3574 [Pa] |
| | | Total efficiency | 77.37 % |



values of the noise of fan obtained in ambient not reverberant with inlet and outlet ducts fully insulated

TECHNICAL DATA SHEET

RADIAL FAN nr. AFGG-40_11



G&G filtration CZ, s.r.o.

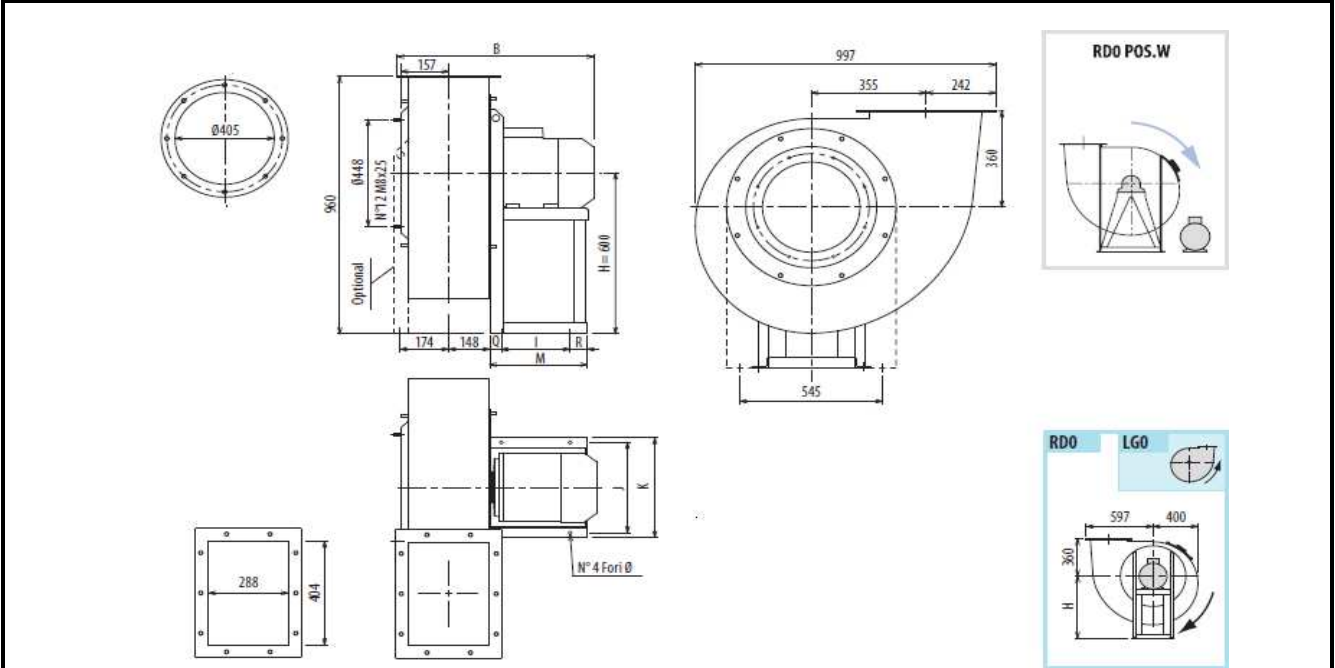
A Hrubínova 1903/9, 66451 Šlapanice, CZ

IČ 05226953 IČ DPH CZ05226953

E info@ggf.cz W www.ggf.cz

ITEM1

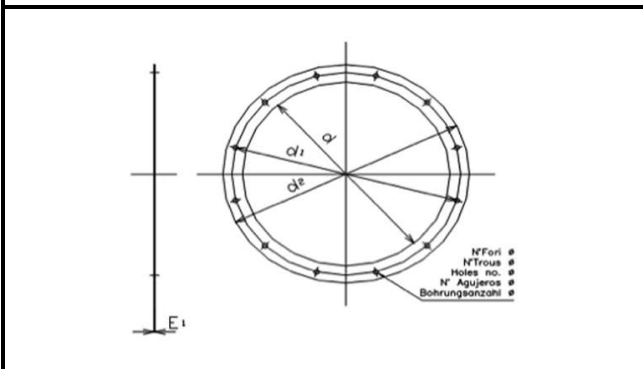
Document printed by Aeraulica - Dimensions and performances can be changed without prior notice



Indicative measures in the standard configuration. For detailed information contact your reference.

Indicative value of weight including standard motor.

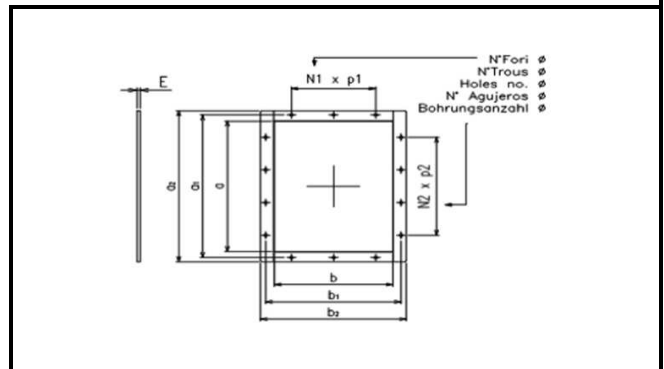
| B | I | H | H1 | H2 | J | K | M | Q | R | Φ | PD2 | kg |
|-----|-----|-----|-----|-----|-----|-----|-----|----|----|--------|-----|-----|
| 810 | 337 | 600 | 360 | 600 | 395 | 440 | 445 | 54 | 54 | 14 | 2,2 | 175 |
| | | | | | | | | | | | | |
| | | | | | | | | | | | | |



| Cod | dxn° | d1 | d2 | Φ | E1 |
|--------|--------|-----|-----|--------|----|
| 0405 A | 405x12 | 448 | 485 | 12 | 4 |

| | | | | | |
|--|--|--|--|--|--|
| | | | | | |
| | | | | | |

| | | | | | |
|--|--|--|--|--|--|
| | | | | | |
| | | | | | |



| Cod | axb | a1 | b1 | a2 | b2 |
|-----------|---------|-----|-----|-----|-----|
| 0404x0288 | 404x288 | 448 | 332 | 484 | 368 |

| N1xp | N2xp | n° | Φ | E | |
|-------|-------|----|--------|---|--|
| 2x125 | 3x125 | 14 | 12 | 4 | |

| | | | | | |
|--|--|--|--|--|--|
| | | | | | |
| | | | | | |