

TECHNICAL DATA SHEET

RADIAL FAN nr. AFGG-40_03



G&G filtration CZ, s.r.o.

A Hrubínova 1903/9, 66451 Šlapanice, CZ

IČ 05226953 IČ DPH CZ05226953

E info@ggf.cz W www.ggf.cz

ITEM1

Document printed by Aeraulica - Dimensions and performances can be changed without prior notice

Type and characteristics of the requested machine				performance on		Outlet		
Flow rate	1000 [m3/h]	Capacity (Normal)				932 [Nm3/h]		
Total pressure	4000 [Pa]	Static pressure						
Working fluid temperature	20 [°C]	Fluid specific weight				1.204 [Kg/m3]		
Installation altitude	0 asl [m]	Specific weight std (20 [°C], 0 asl [m])				1.204 [Kg/m3]		
Suggested model and effective characteristics				performance on		Outlet		
Model	VPP 450/2-B-I	Execution	E04	Installation Type	A (free inlet and outlet)			
Fluid specific weight	1.204	1.204 [Kg/m3]		Revolution fan speed		2920 [rpm]		
Total pressure	4081	4081 [Pa]		Orientation		RD 0		
Static pressure	3612	3612 [Pa]		Sound power LwA		98.71 [dB(A)]		
Flow rate	1000	1000 [m3/h]		Sound pressure at mt.1.5 1/2 sf in open field		85.41 [dB(A)]		
Capacity (Normal)	932	932 [Nm3/h]		Pipings	s>3mm = +3dB; 1mm<s<3mm = +4,5dB; s<1mm = +6dB			
Power dem. at shaft	1.537	1.537 [kW]		Fan efficiency	Outlet	73.76 %		
Motor power demand	1.537	1.537 [kW]						
Characteristics of chosen motor				Motor efficiency IEC 60034-30			PD ² impeller	
Code	090L02-50/std3	shape	B3	Efficiency	85.9	86.8	86.1	0.9 kgm ²
Rated power	2.2 [kW]	n° poles	2	rpm	2910			PD ² needed 0.91 kgm ²
				Load	100%	75%	50%	PD ² motor 2 kgm ²
ErP 2009/125/CE Regulament (UE) N. 327/2011				Notes				
Efficiency grade	49	N	71.3	Total efficiency	66.07 %			
Impeller type	forward blades	Type of test	B/total	Flow rate	823.48 [m3/h]	Pressure	3942 [Pa]	
NOTE				Performance on Outlet VPP 450/2-B-I - E04 - D=0.45[m] - ρ=1.204[kg/m ³] - T=20[°C] - 0[m]a.s.l.				
Rpm Limit	<=60 °C: 5000 Rpm							
values of the noise of fan obtained in ambient not reverberant with inlet and outlet ducts fully insulated								

TECHNICAL DATA SHEET

RADIAL FAN nr. AFGG-40_03



G&G filtration CZ, s.r.o.

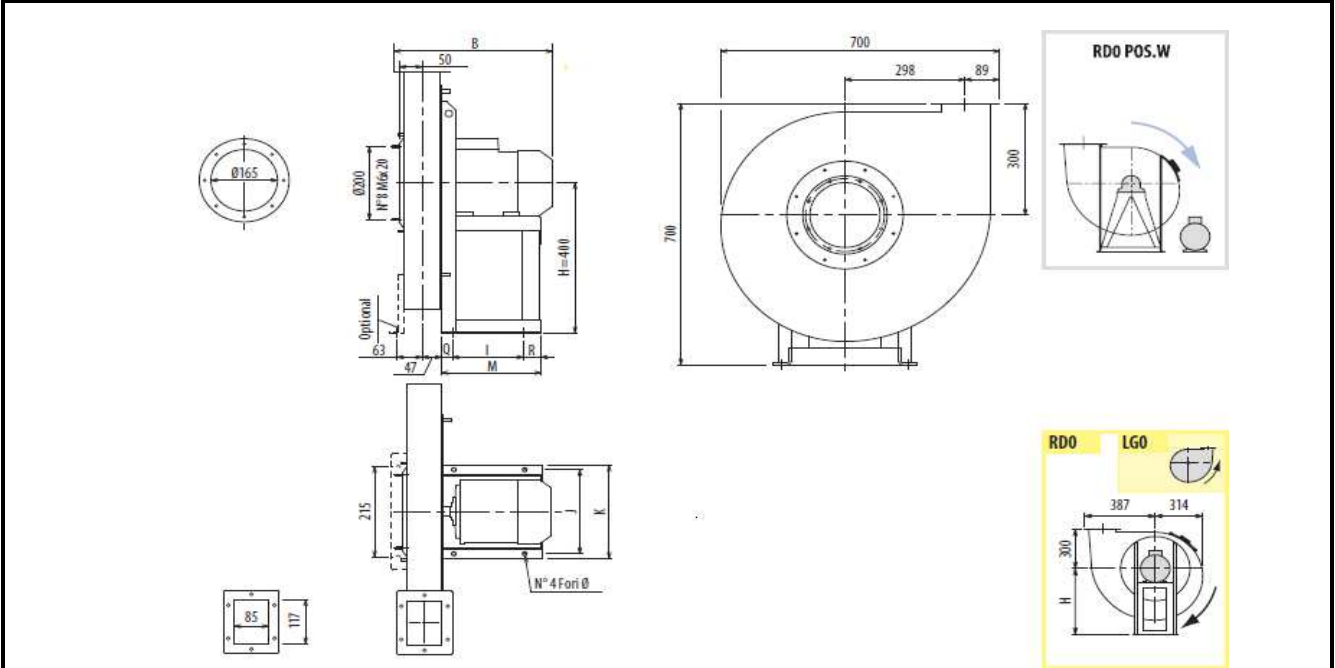
A Hrubínova 1903/9, 66451 Šlapanice, CZ

IČ 05226953 IČ DPH CZ05226953

E info@ggf.cz W www.ggf.cz

ITEM1

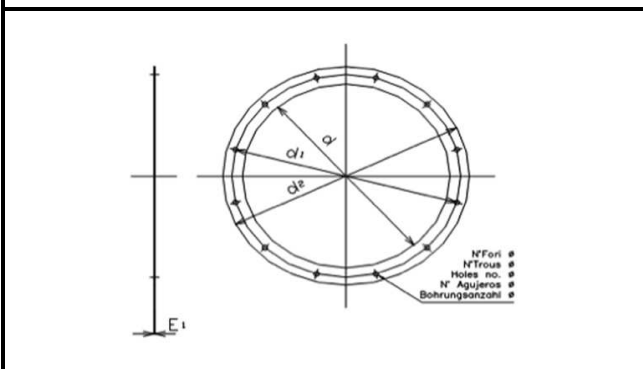
Document printed by Aeraulica - Dimensions and performances can be changed without prior notice



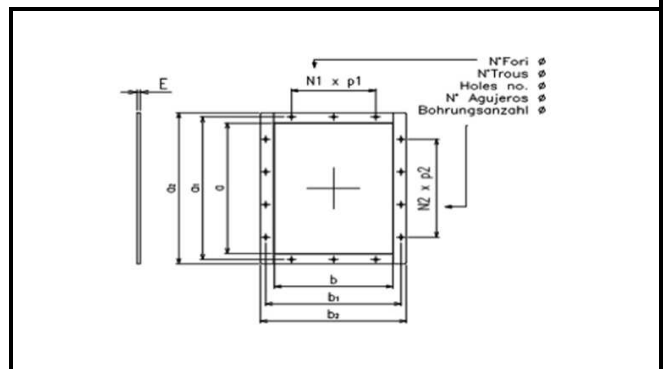
Indicative measures in the standard configuration. For detailed information contact your reference.

Indicative value of weight including standard motor.

B	I	H	H1	H2	J	K	M	Q	R	Φ	PD2	kg
400	133	400	400*	400	234	260	251	58	60	10	0,9	61



Cod	dxn°	d1	d2	Φ	E1
0165 A	165x8	200	235	8	3



Cod	axb	a1	b1	a2	b2
0117x0085	117x85	151	119	177	145

--	--	--	--	--	--

n°	Φ	E			
4	10	4			

--	--	--	--	--	--

--	--	--	--	--	--